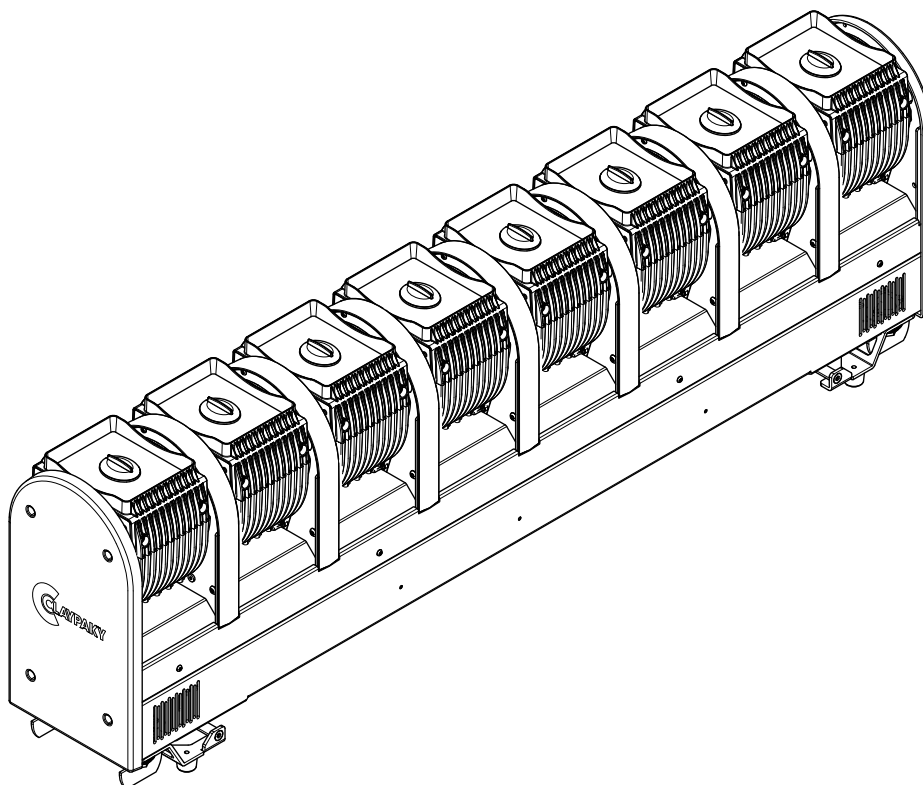


INSTRUCTION MANUAL



INDEX

Page	Contents
2	1. Safety information
3	2. Unpacking and preparation
3	3 Installation and start-up
3	3.1 Fixture overview
4	3.2 Installing the fixture
6	3.3 Connecting to mains supply
6	3.4 Connecting the control signal line: DMX / Art-Net
7	3.5 Switching on the fixture and basic SetUp
8	4. Maintenance
8	4.1 Periodical cleaning & Caution
9	4.2 Battery removal
10	5. Dimensions
10	6. Cause and solution of problems

Congratulations on choosing a Claypaky product!

We thank you for your custom.

Please note that this product, as all the others in the rich Claypaky range, has been designed and made with total quality to ensure excellent performance and best meet your expectations and requirements.

1. SAFETY INFORMATION

EN

SAFETY INFORMATION

IMPORTANT: Claypaky recommends you carefully read and keep the safety information on this product, also available in digital format at the following link:

www.claypaky.com

Ref: FIS02D - Safety Information Volero Wave

IT

INFORMAZIONI DI SICUREZZA

IMPORTANTE: Claypaky raccomanda di leggere accuratamente e conservare le informazioni di sicurezza relative a questo prodotto, sempre reperibili in versione digitale al seguente link:

www.claypaky.com

Rif: FIS02D - Safety Information Volero Wave

DE

INFORMATIONEN ZUR SICHERHEIT

WICHTIG: Claypaky empfiehlt, die Sicherheitsinformationen bezüglich dieses Produkts genau zu lesen und aufzubewahren. Sie sind in Digitalversion immer unter folgendem Link auffindbar:

www.claypaky.com

Ref: FIS02D - Safety Information Volero Wave

ES

INFORMACIONES DE SEGURIDAD

IMPORTANTE: Claypaky recomienda leer detenidamente y conservar la información de seguridad relativa a este producto. Además, está disponible una versión digital de la misma en el siguiente enlace:

www.claypaky.com

Ref: FIS02D - Safety Information Volero Wave

FR

CONSIGNES DE SÉCURITÉ

IMPORTANT: Claypaky recommande de lire attentivement et de conserver les informations de sécurité relatives à ce produit, disponibles en version digitale au lien suivant:

www.claypaky.com

Réf. : FIS02D - Safety Information Volero Wave

RU

ИНСТРУКЦИЮ ПО ТЕХНИКЕ БЕЗОПАСНОСТИ

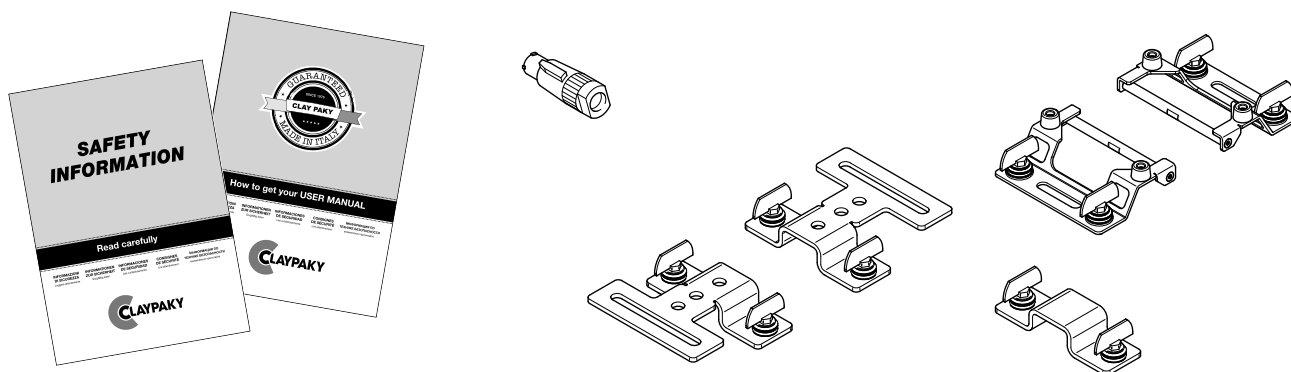
ВАЖНО: Клаураку рекомендует внимательно прочитать и сохранить инструкцию по технике безопасности данного изделия, которая всегда доступна в электронном формате по следующей ссылке:

www.claypaky.com

Наименование: FIS02D - Safety Information Volero Wave

2. UNPACKING AND PREPARATION

1

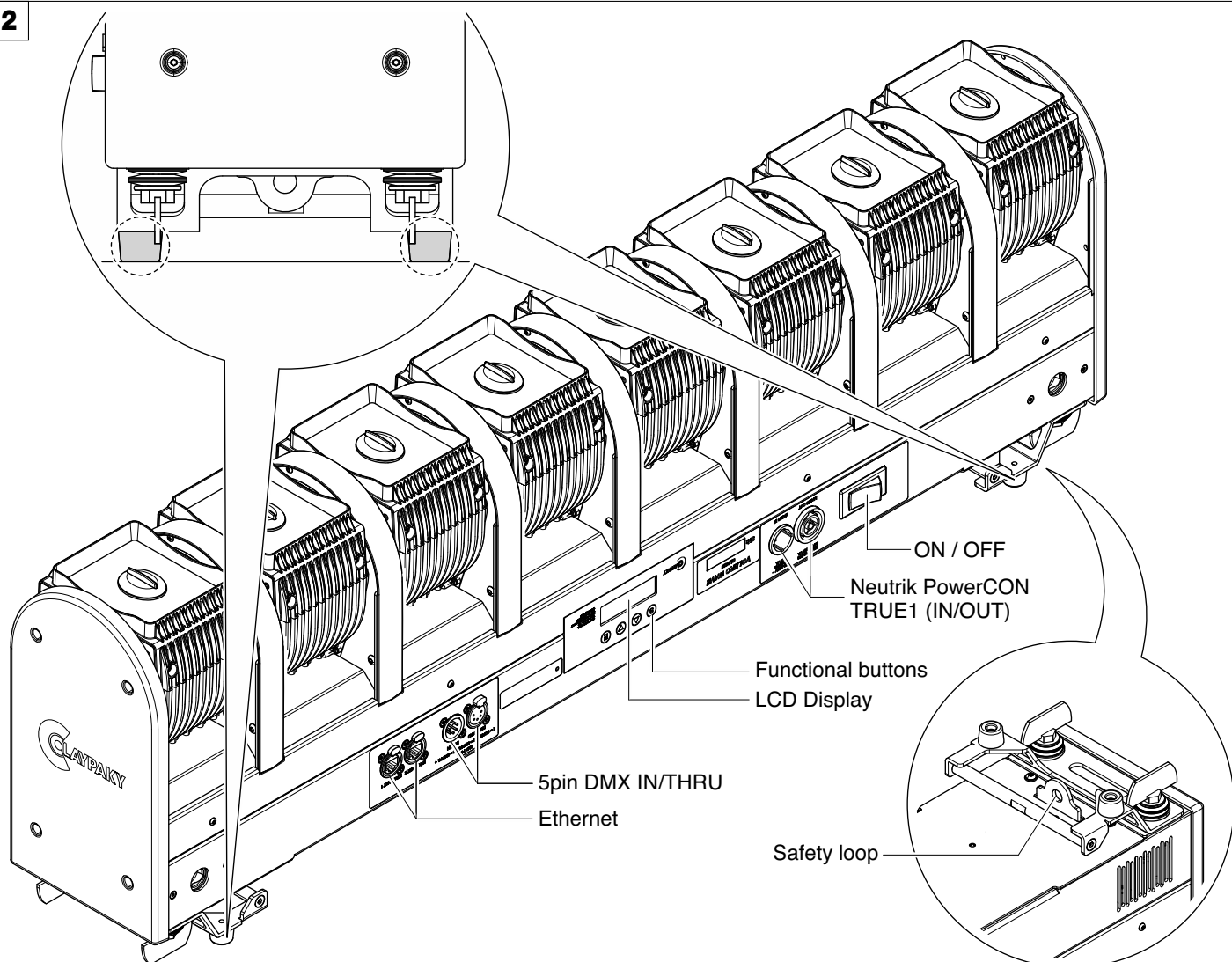


Packing contents - Fig. 1

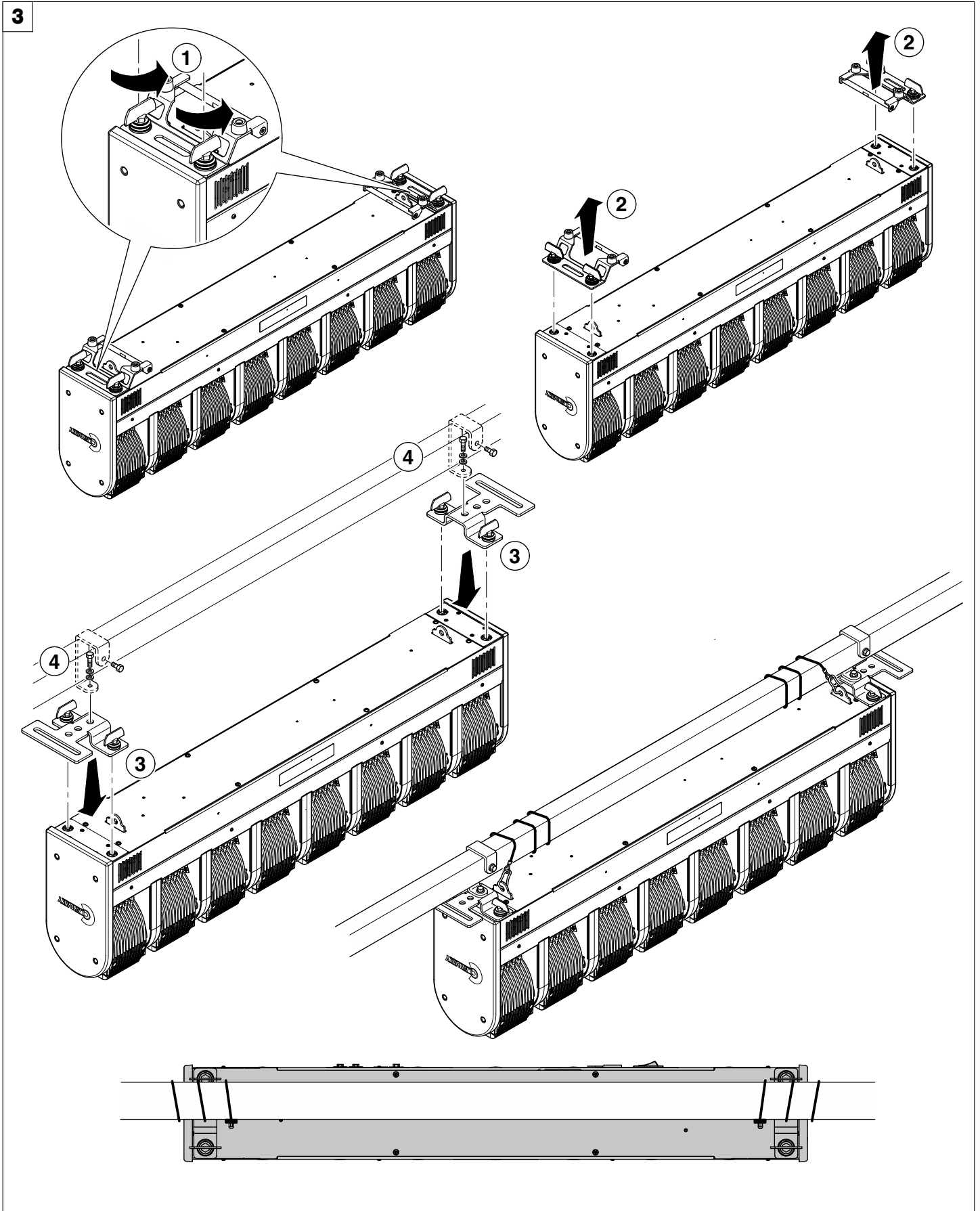
3. INSTALLATION AND START-UP

3.1 Fixture overview

2



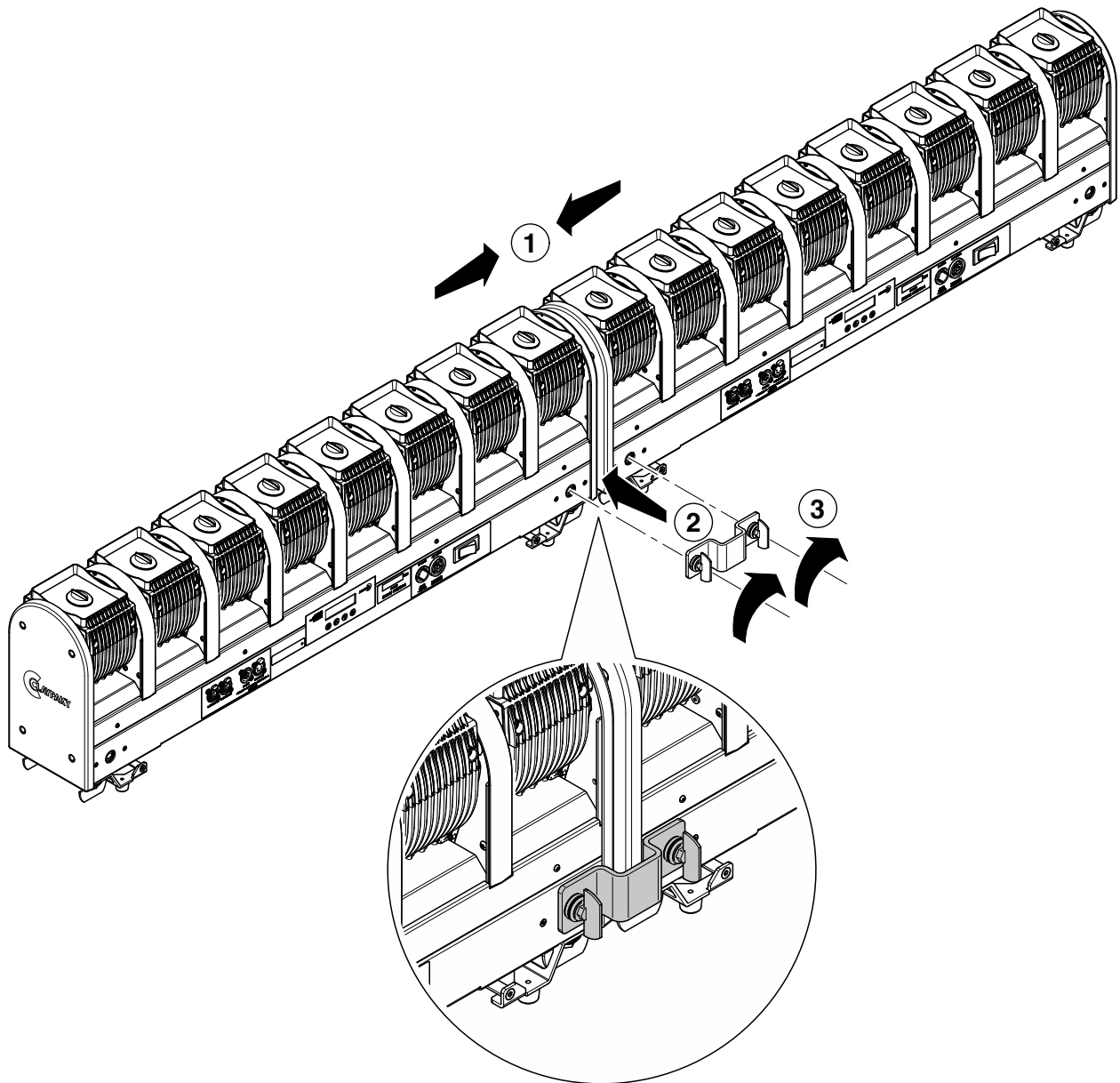
3.2 Installing the fixture



Projector installation - Fig. 3

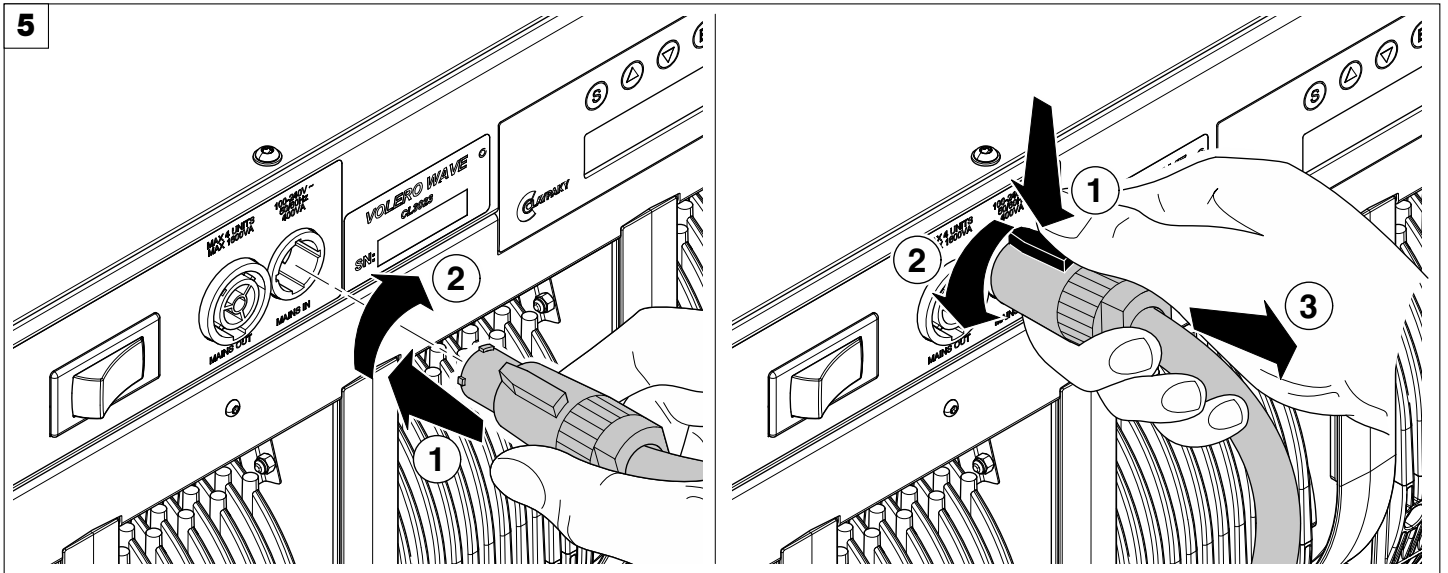
The fixture can be installed on the floor (using supplied floor brackets), on a truss, ceiling or wall in accordance to local and federal safety regulations for lighting fixtures of this type.

WARNING: Safety chains must be installed when fixture is installed in a hanging position. For this fixture, two (2) safety chains must be connected to the two fastening points as indicated in Figure 3 to a secure support structure. Safety chains are optional and available for purchase (Code: 105041-003).

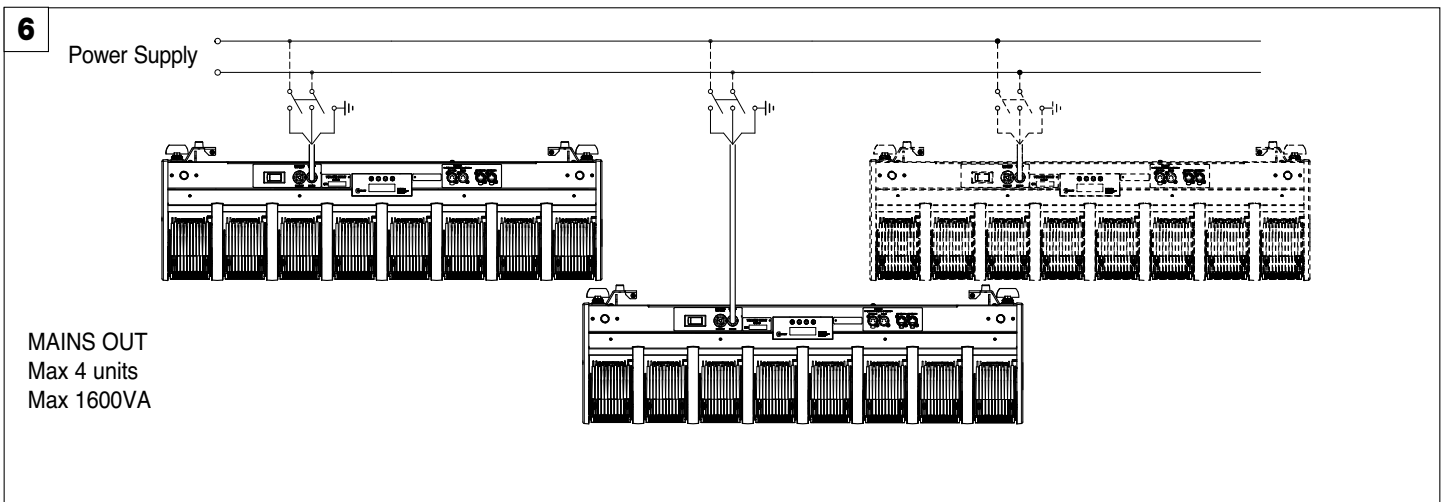


Projector installation - Fig. 4

3.3 Connecting to mains supply

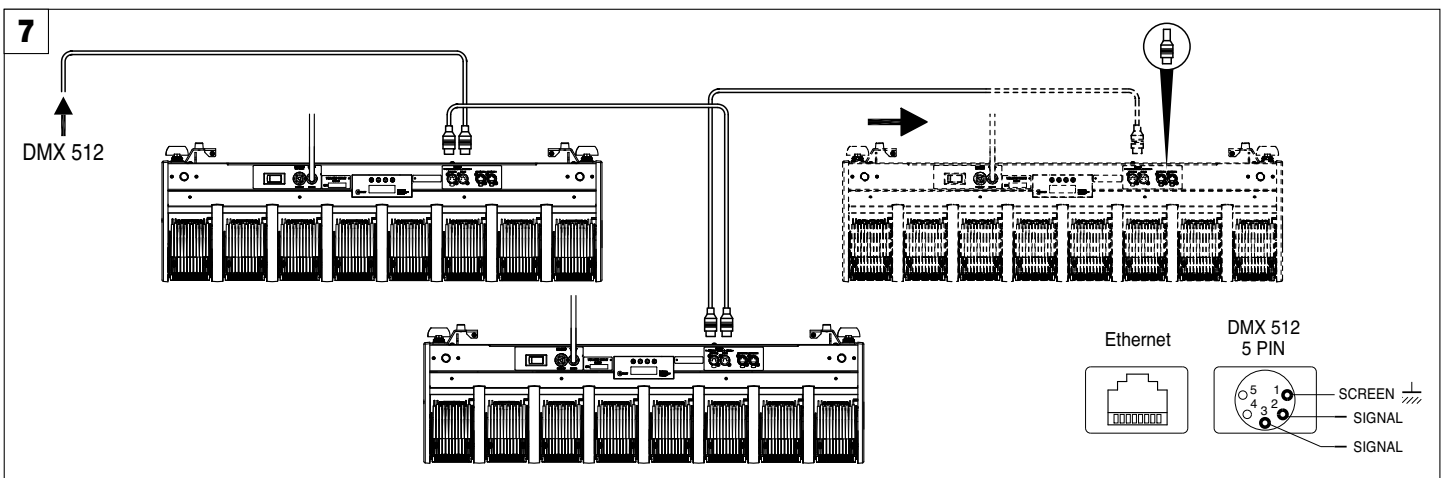


Connecting and disconnecting the power cord - Fig. 5



Connections to the power mains - Fig. 6

3.4 Connecting the control signal line: DMX / Art-Net



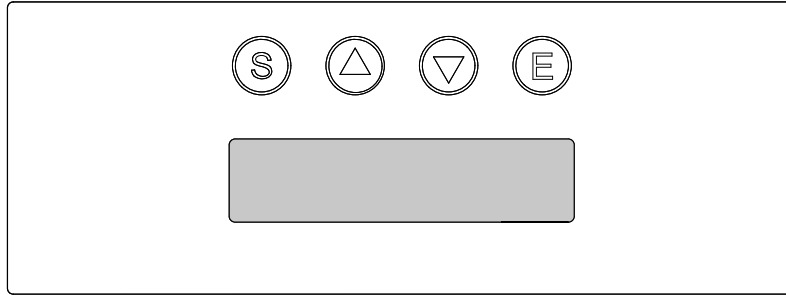
Connections to the control signal line (DMX) - Fig. 7

Use a cable conforming to specifications EIA RS-485: 2-pole twisted, shielded, 120Ω characteristic impedance, 22-24 AWG, low capacity. Do not use microphone cable or other cable with characteristics differing from those specified. End connections must be made using XLR type 5-pin male/female connectors. A terminating plug must be inserted in the last projector with a resistance of 120 (minimum 1/4 W) between terminals 2 and 3.

IMPORTANT: The wires must not make contact with each other or with the metal casing of the connectors. The casing must be connected to the shield braid and pin 1 of the connectors.

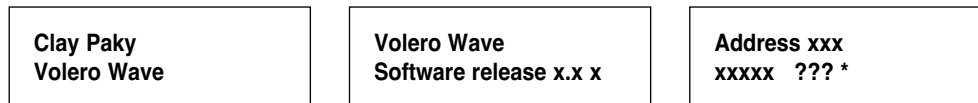
3.5 Switching on the fixture and basic SetUp

8



Switching on the projector - Fig. 8

The projector immediately turns on when the power cord is plugged.



The control panel (Figure 8) has a display and buttons for complete programming and management of the projector menu. The display can be in one of two conditions: idle status and settings status. When idle, the projector DMX address is displayed. If no button is pressed after a wait period (about 60 seconds) when in menu settings status, the display automatically returns to idle status. It should be noted that when this condition occurs, any modified value that has not yet been confirmed with the (E) key will be cancelled.

Button functions – Menu SET

SELECT 	<ul style="list-style-type: none"> • If pressed in idle status: Cyclically switches between idle status and menu settings. • If pressed while setting a menu: Moves to an upper level without changing anything (exits the function)
DOWN 	Decreases the value displayed (with auto-repetitions), or passes to the next item on the menu For quick access to the minimum parameter value, press the UP key while holding down the DOWN key.
UP 	Increases the value displayed (with auto-repetitions), or passes to the previous item on the menu For quick access to the maximum parameter value, press the DOWN key while holding down the UP key.
ENTER 	Confirms the displayed value or activates the displayed function or opens the next menu.

USING THE MENU:

- 1) Press LEFT (←) once – “Main Menu” appears on the display.
- 2) Use the UP (▲) and DOWN (▼) keys to select the menu to be used:
 - Setup (Setup Menu): To set the setting options.
 - Option (Option Menu): To set the operating options
 - Informations (Informations Menu): To read the counters, software version and other information.
 - Manual Control (Manual control Menu): To trigger the test and manual control functions.
 - Test (Test Menu): To check the proper functioning of effects
 - Advanced (Advanced Menu): Access to the "Advanced menu" is recommended for a trained technical personnel.
- 3) Press (S) to display the first item in the selected menu.
- 4) Use the UP (▲) and DOWN (▼) keys to select the MENU items.

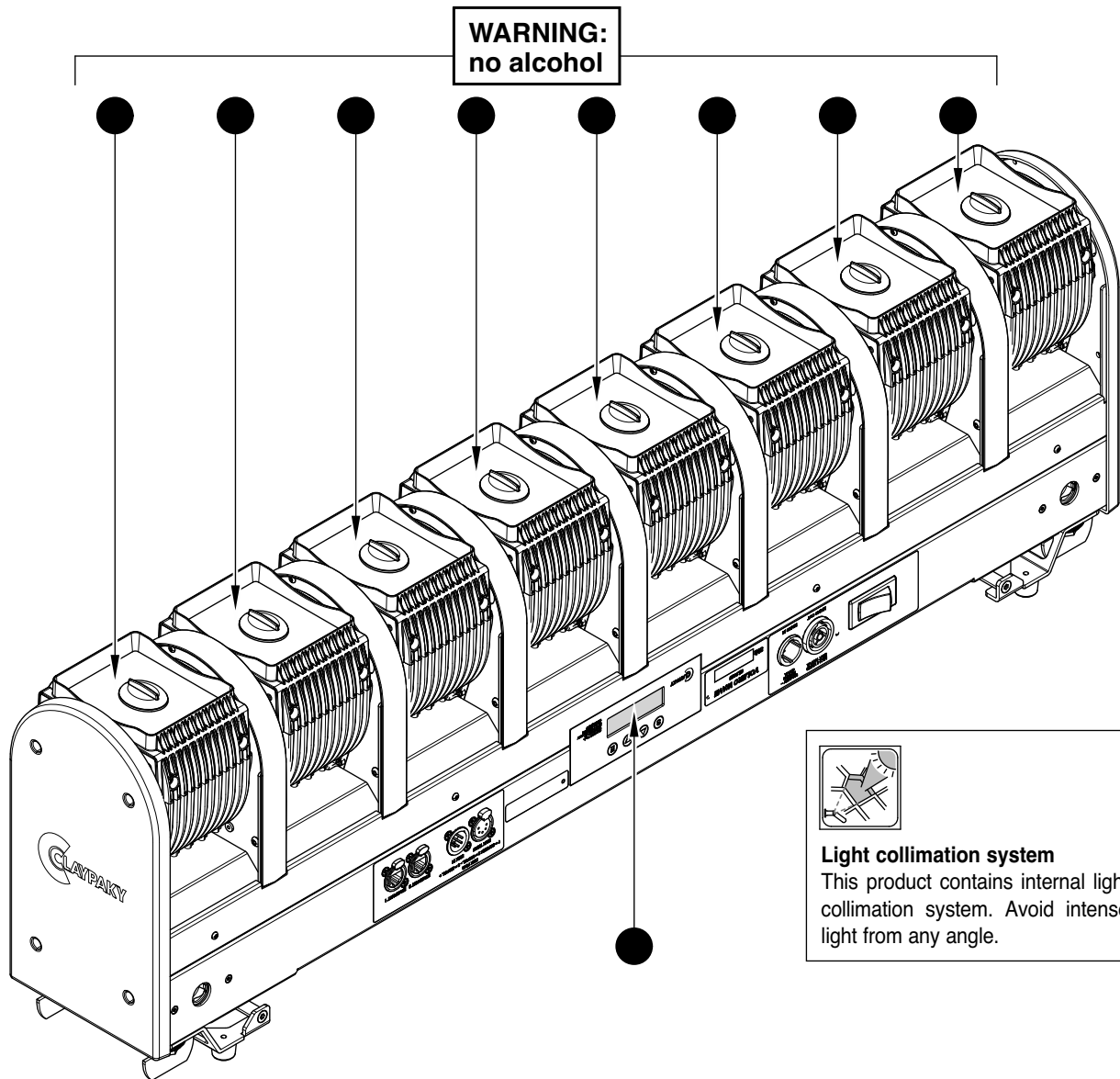
Setting addresses and options with the projector disconnected

The projector's DMX address, as well as other possible operating options, can also be set when the appliance is disconnected from the electricity supply. All that is needed is to press (E) ENTER to momentarily activate the display and thus access the settings. Once the required operations have been carried out, the display will switch off again after a wait time of 30 seconds.

4. MAINTENANCE

4.1 Periodical cleaning & Caution

9



● Parts requiring frequent cleaning.



Light collimation system

This product contains internal light collimation system. Avoid intense light from any angle.

CAUTION:

• To ensure optimal operation and performance for a long time it is essential to periodically clean the parts subject to dust and grease deposits. The frequency with which the following operations are to be carried out depends on various factors, such as the amount of the effects and the quality of the working environment (air humidity, presence of dust, salinity, etc.).

It is recommended that the projector undergoes an annual service by a qualified technician for special maintenance involving at least the following operations:

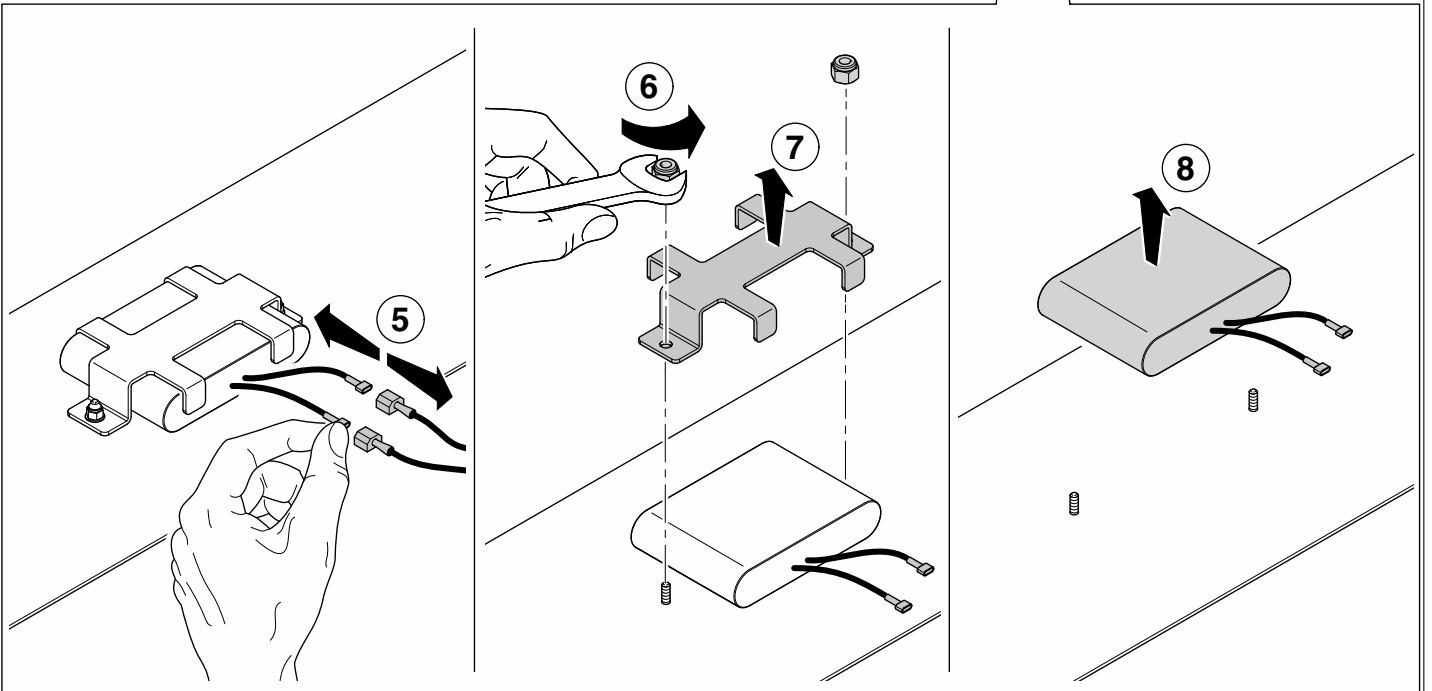
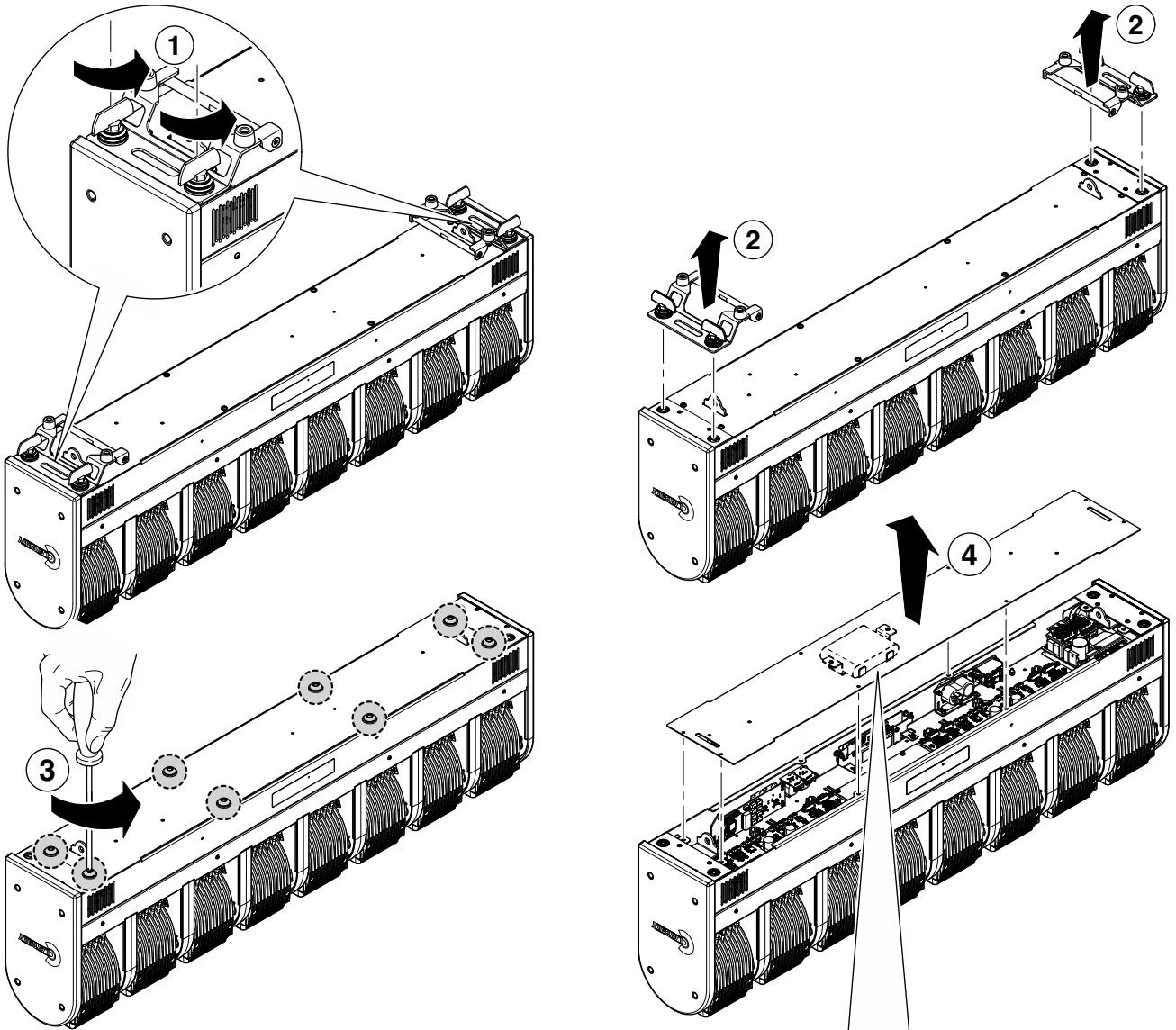
- General cleaning of internal parts.
- Restoring lubrication of all parts subject to friction, using lubricants specifically supplied by Claypaky.
- General visual check of the internal components, cabling, mechanical parts, etc.
- Electrical, photometric and functional checks; eventual repairs.

Cleaning the lenses

Only use neutral soap and water to clean the lenses, then dry it carefully with a soft, non-abrasive cloth. (WARNING: the use of alcohol or any other detergent could damage the lenses).

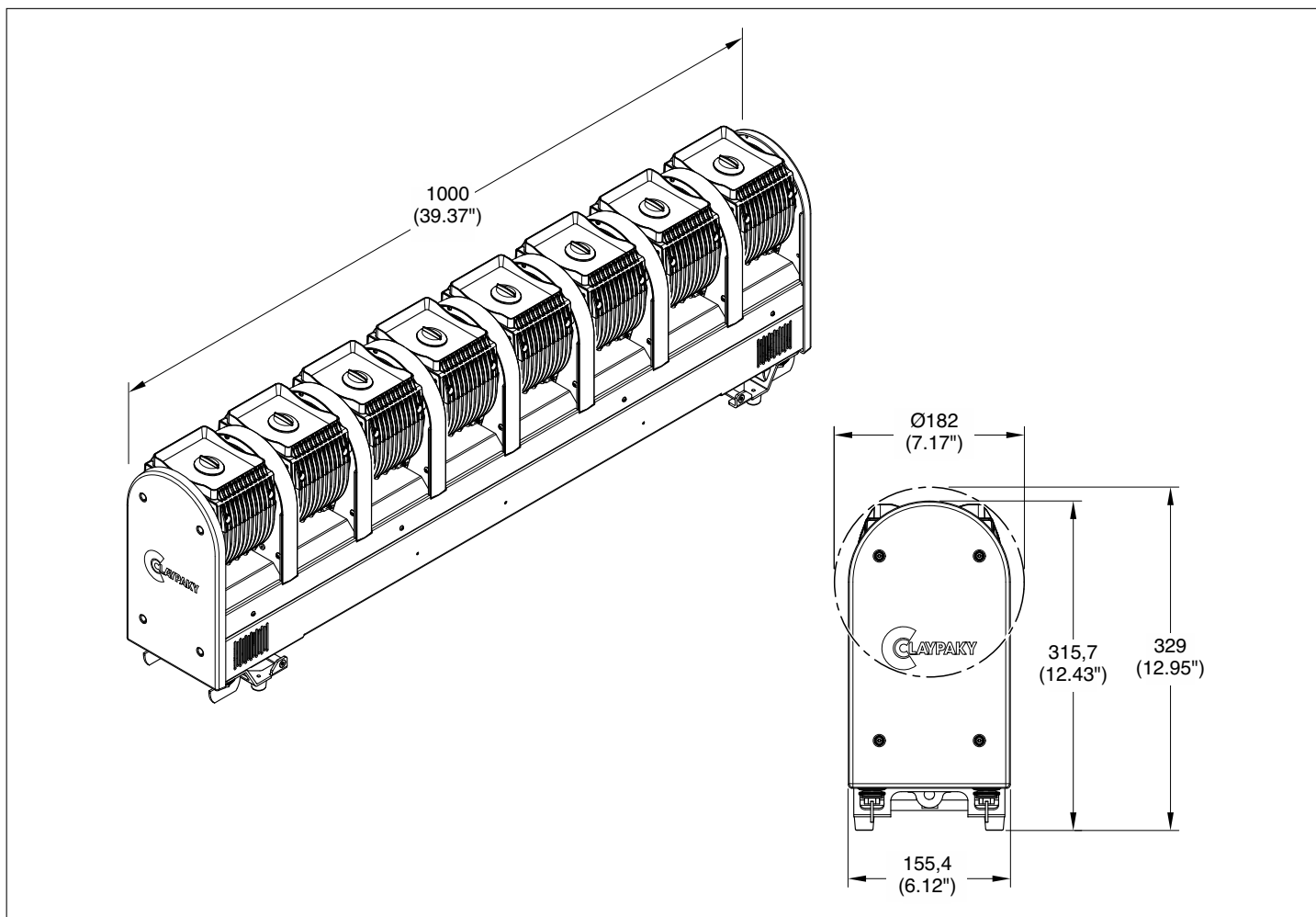
4.2 Battery removal

10



This product contains a rechargeable battery. To preserve the environment, please dispose the battery at the end of its life according to the regulation in force.

5. DIMENSIONS



6. CAUSE AND SOLUTION OF PROBLEMS

THE PROJECTOR WILL NOT SWITCH ON			TROUBLE
ELECTRONICS NON-OPERATIONAL			
DEFECTIVE PROJECTION			
REDUCED LUMINOSITY			
	POSSIBLE CAUSES	CHECKS AND REMEDIES	
●	No power supply.	Check the power supply voltage.	
●	● LED burnt out or defective.	Call an authorised technician.	
●	● Signal transmission cable faulty or disconnected.	Replace the cables.	
●	● Incorrect addressing.	Check addresses (see instructions).	
●	● Fault in the electronic circuits.	Call an authorised technician.	
●	● Optic fault.	Call an authorised technician.	
●	● ● Dust or grease deposits.	Clean (see instructions).	

